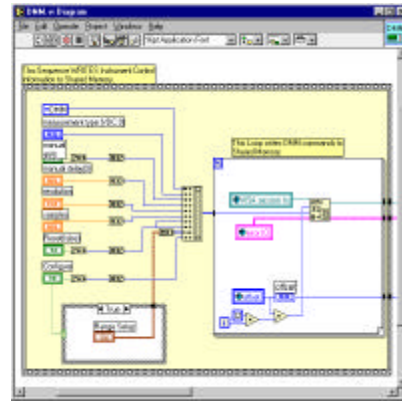


Racal Instruments, Inc.

Turn-Key Solutions



Freedom Hardware



TPS & System Software

- Process driven TPS development
- Planned Design Reviews (PDR, CDR)
- Reduced time-to-test
- Reduced time-to-market
- Faster than in-house or 3rd party TPS
- Reduced Total Ownership Costs (RTOC)
- Freedom maximizes use of COTS hardware
- COTS software development platform

- Instrument Software Layer for ATE
- Open Systems Approach
- COTS interface components
- Full system and software documentation
- On-site system sell-off and training
- Worldwide customer support
- ISO 9001 Certified
- Test Requirements definition support

TPS Development Process

